

Punch Head

Series : LTPH



Capacity : 30 - 60 Ton | Punching Thickness : 10 - 20 mm | Max. Working Pressure : 700 Bar



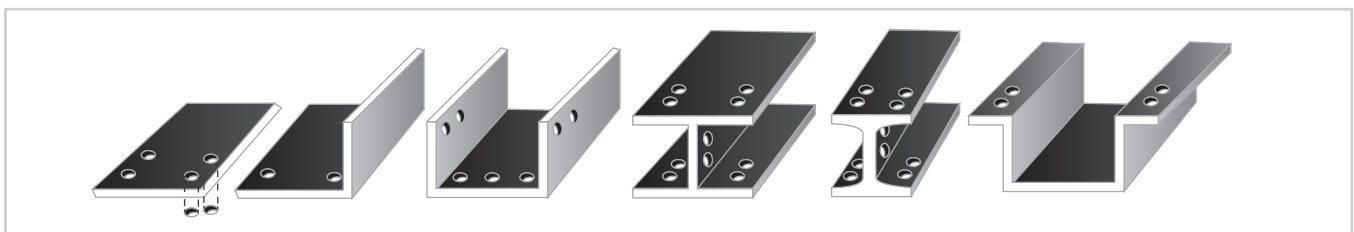
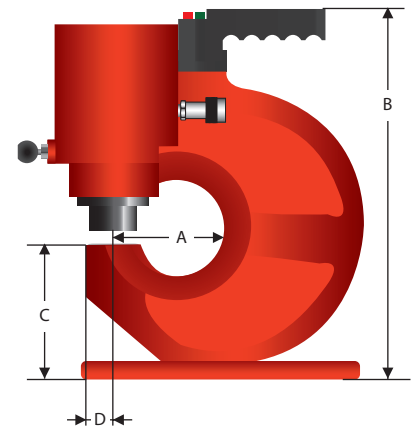
For single acting models air operated foot pump or mini electric pump is recommended



For double acting models, electric pumps with solenoid valves are recommended



- Single and double acting models.
- Control switches on the punch head for easy operation.
- Throat depth upto 110mm.
- Suitable for I-beams, H-beams, channels & angles
- Portable and much faster when compared to magnetic drills



Model	Cylinder Capacity(Tons)	Max: Punching Thickness (mm)	Max: Punching Diameter (mm)	Die Sizes (mm)	Max. Center Depth (mm) A	B (mm)	C (mm)	D (mm)	Weight (Kg)
LTPH 2010	30	10	20.5	10.5, 13.5, 17.5, 20.5	70	372	90	23	13
LTPH 2416-07	47	16	24	18, 20, 22, 24	70	330	95	26	21
LTPH 2416-11					110	345	130	25	28
LTPH 2420	60	20	24	18, 20, 22, 24	110	378	126	27.5	34