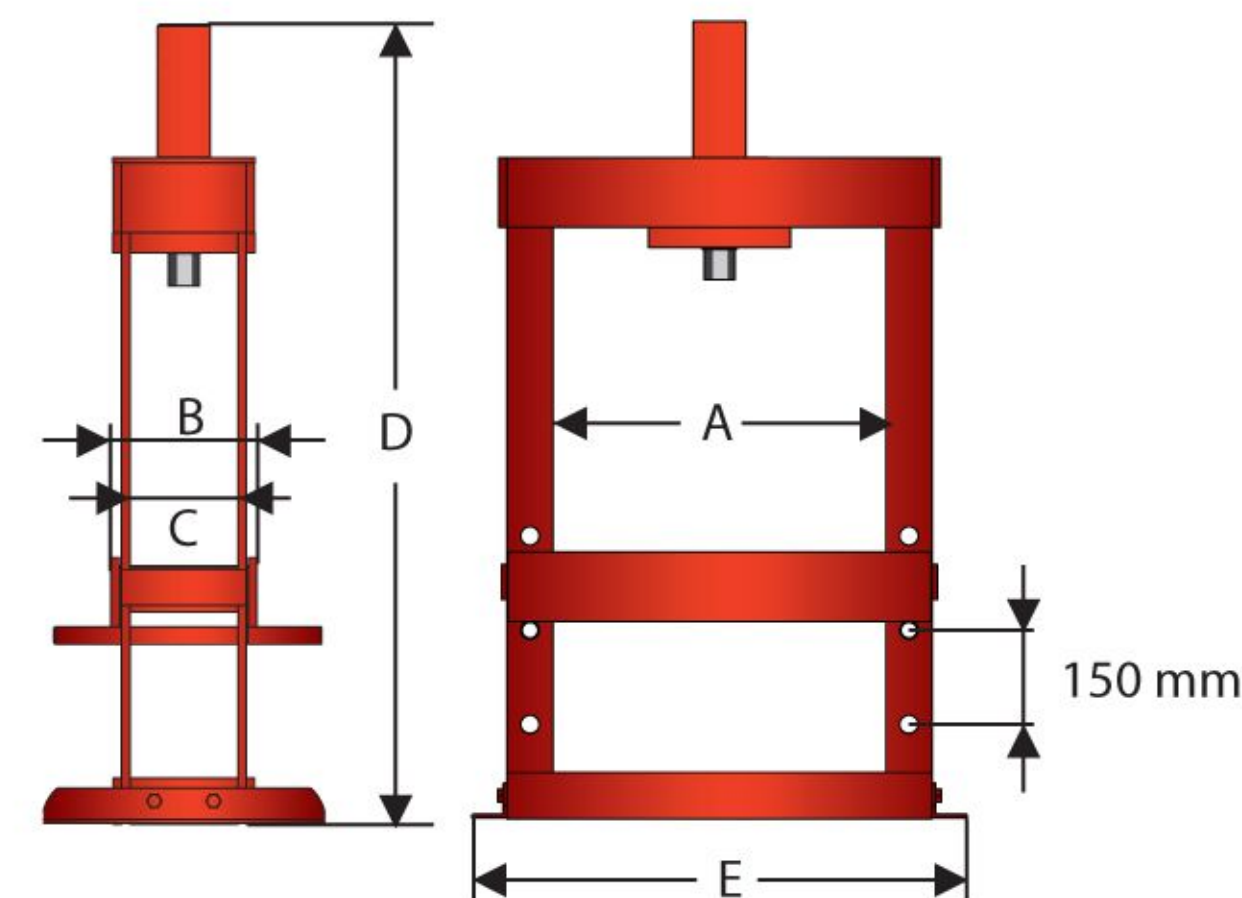


# Workshop Press

Series : LWP | Capacity : 10 - 100 Tons | Working pressure : 700 bar



- Options for manual or powered pumps.
- Higher capacities upon request.
- Options for single or double acting design.



Model	Capacity (Tons)	Stroke (mm)	Dimension (mm) A x B x C x D x E	Weight (Kg)	Pump Type
LWP-10	10	200	508 x 280 x 125 x 1448 x 700	170	Hand Pump or Electric Pump
LWP-20	20		550 x 280 x 125 x 1630 x 848	180	
LWP-30	30		640 x 335 x 150 x 1800 x 988	320	
LWP-50	50		850 x 360 x 175 x 2100 x 1268	530	
LWP-100	100		1000 x 445 x 250 x 2200 x 1468	940	